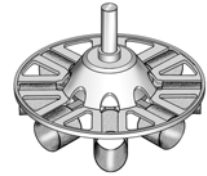


DO NOT USE THIS TOOL ABOVE 2500 rpm



# SPIDER SANDER®

PATENTS PENDING: US12/231,039 GB0817262.9



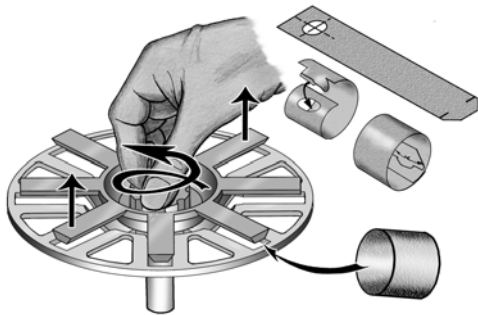
Designed & made in Australia

[www.the2terrys.com](http://www.the2terrys.com)

Users of this tool do so at their own risk. The manufacturers and suppliers will not take responsibility for personal injury or property damage resulting from inappropriate use, or incorrect use of this tool. Tampering with this tool, or modifying this tool voids all claims on the supplier and manufacturer.

**Use only light to medium pressure. This tool is not recommended for industrial use.**

## Loading the SPIDER SANDER® with abrasive sleeves

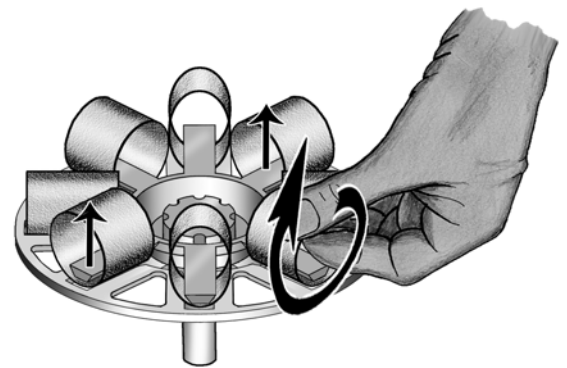


1. Loosen the locking screw until the fingers lift clear of the sander body.
2. Slide a sleeve onto each finger.
3. re-tighten the locking screw to clamp the sleeves securely.

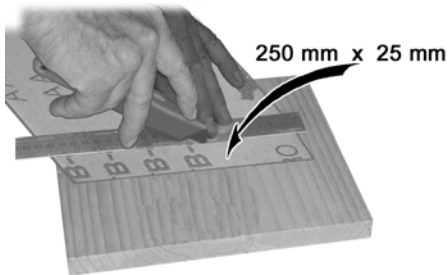
**NOTE:** You may use pre-made sleeves or our form-your-own 'Abrasive Loops' - available only from T & T Design.

## Get maximum use from your abrasive sleeves.

When they become worn or clogged simply loosen the locking screw and rotate each sleeve to present a fresh surface to the work. Re-tighten the locking screw ensuring the sleeves are locked firmly in place.

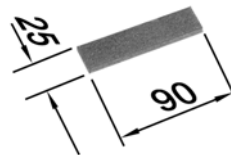


**NOTE:** If you get temporarily caught without replacement sleeves you can make your own using cloth backed abrasive sheet from your hardware shop.



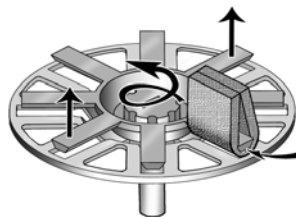
Cut (or tear) strips and wrap them around your thumb, or finger, or piece of dowel.

**USE ONLY CLOTH BACKED ABRASIVE**



Scouring Pad material can also be loaded into your SPIDER SANDER®

Cut your own pieces to size.



Loaded with scouring pad material you can use your SPIDER SANDER® for polishing materials such as sheet metals etc.

**Use the SPIDER SANDER® like a disk sander, but - ENJOY THE SUPERIOR ACTION**

[www.the2terrys.com](http://www.the2terrys.com)  
**- See other great innovative products -**

### Warranty

This product is covered by warranty providing the nature of the claim is the result of faulty workmanship. Misuse or abuse voids all warranty. Warranty claims must be reported to the Selling Agent from whom it was originally purchased. The warranty is valid for a period of ninety days starting from the purchase date. The warranty will be void if any unauthorised persons tamper with the product or parts.